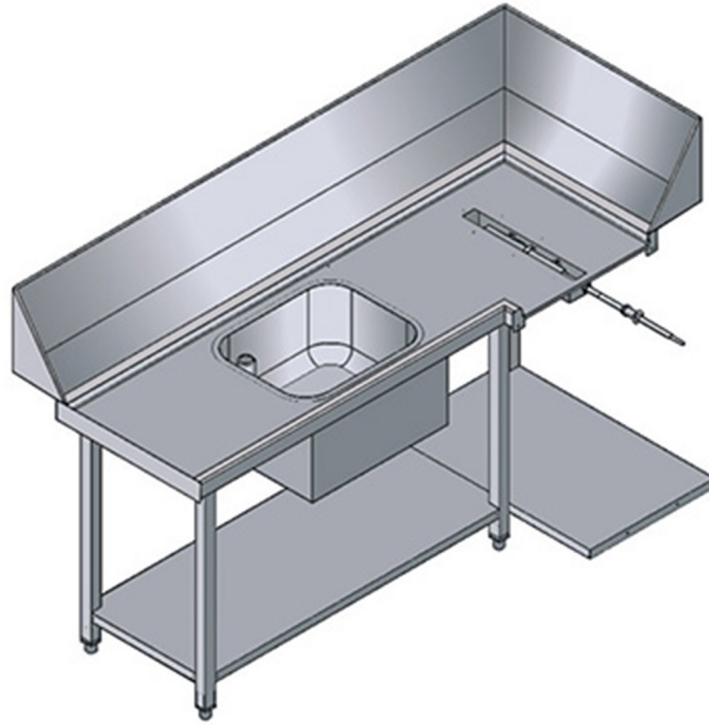
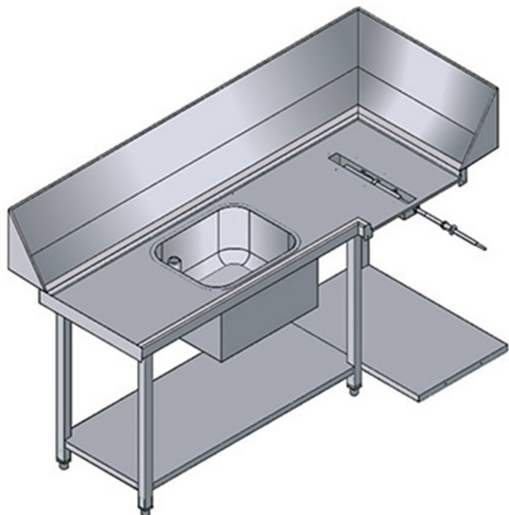


# WTM90SX

MECHANIZED TABLE ENTRY 90° LEFT-HAND SIDE WITH SINK





## TECHNICAL SPECIFICATIONS

**Width:** 1980 mm

**Depth:** 795 mm

**Height:** 870 mm

**Volume:** 1.05 m<sup>3</sup>

