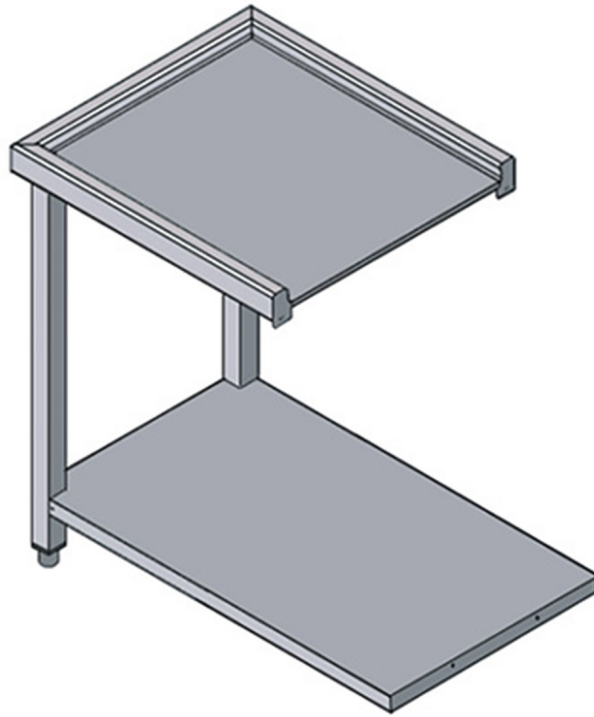
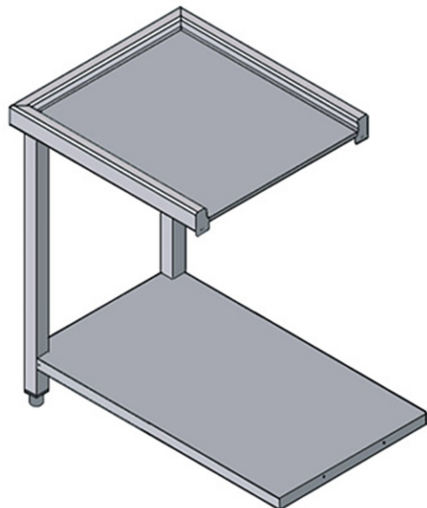


# WT80E

ENTRY TABLE





## TECHNICAL SPECIFICATIONS

**Width:** 630 mm  
**Depth:** 580 mm  
**Height:** 870 mm  
**Volume:** 0.32 m<sup>3</sup>

