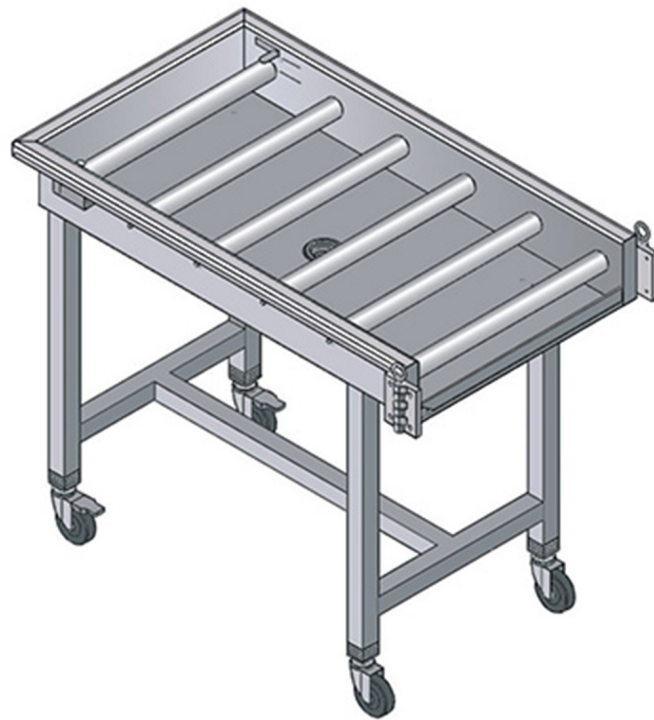
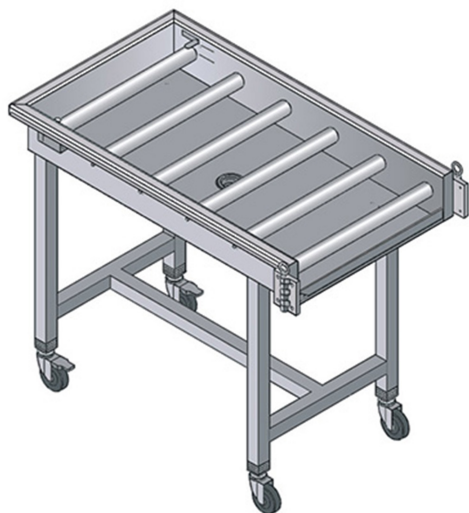


# TRF150

ROLLER CONVEYOR





## TECHNICAL SPECIFICATIONS

**Width:** 1500 mm

**Depth:** 590 mm

**Height:** 890 mm

**Volume:** 0.53 m<sup>3</sup>

