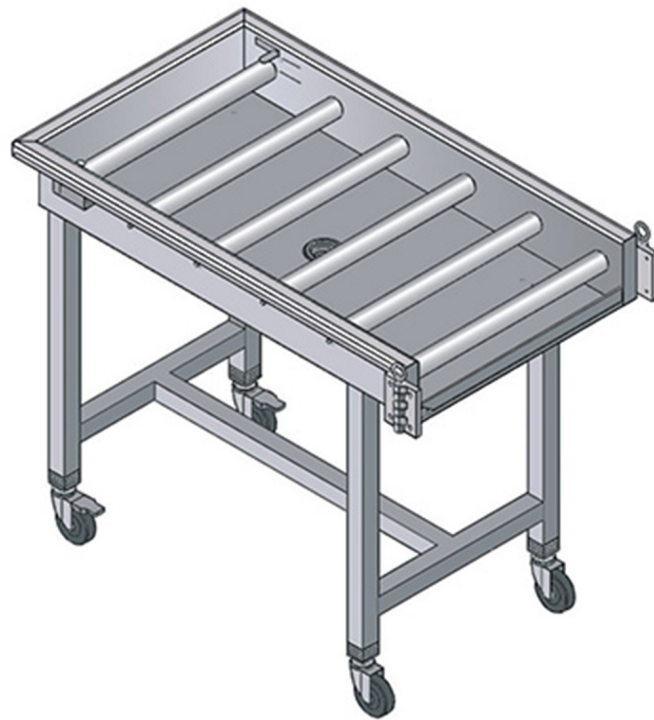
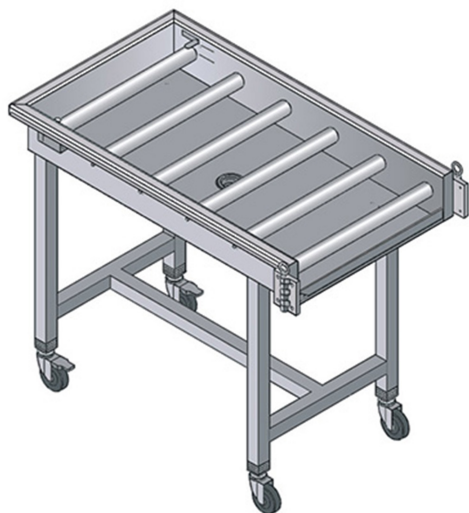


TRF100

ROLLER CONVEYOR





TECHNICAL SPECIFICATIONS

Width: 1000 mm

Depth: 590 mm

Height: 890 mm

Volume: 0.53 m³

