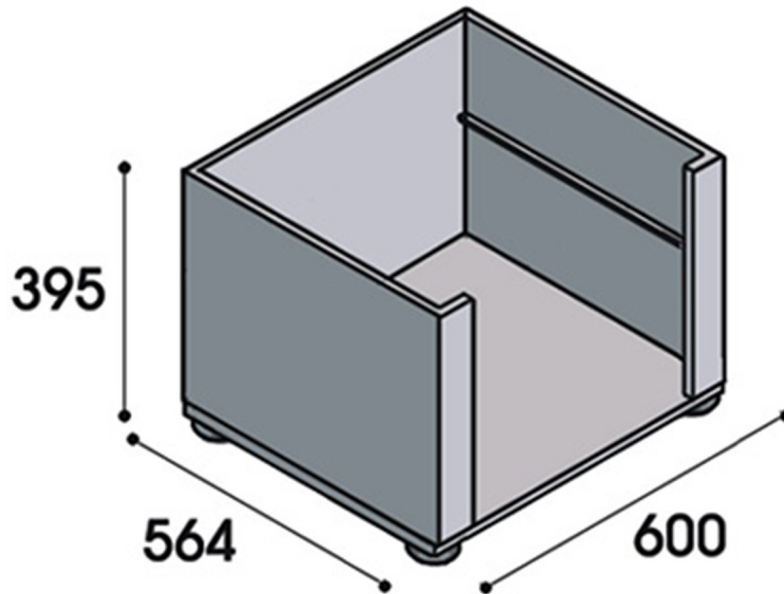
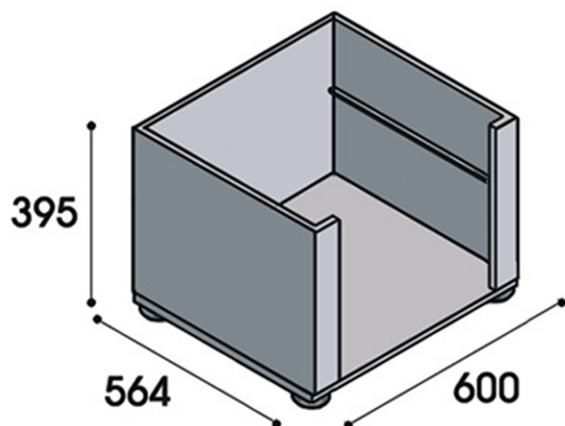


SP

STAND FOR MODELS B31, B31D, AF56, AF57, AF521, AF521D, AF611, AF781, B30, B30PS, AF55, AF55PS





TECHNICAL SPECIFICATIONS

Width: 600 mm
Depth: 564 mm
Height: 395 mm
Volume: 0.13 m³

