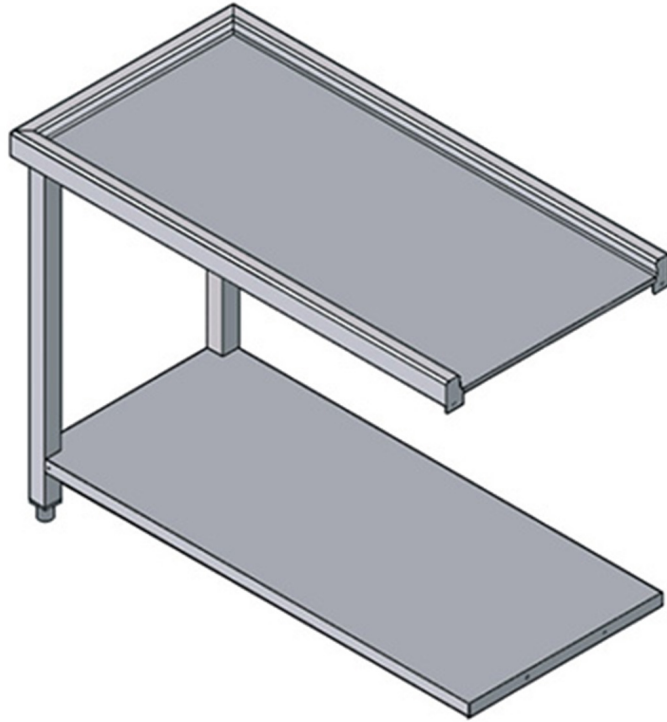
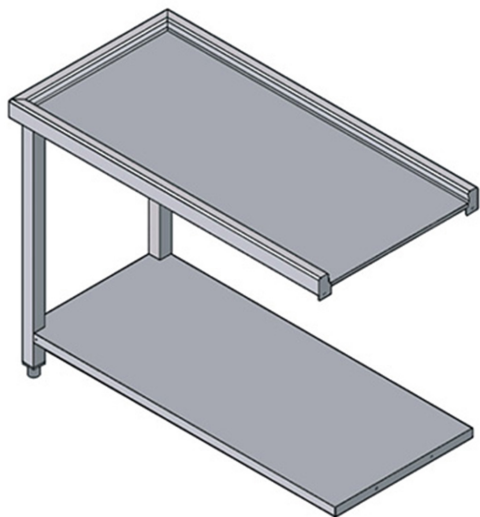


# P110U

EXIT TABLE FOR MODELS ATR1500 AND ATR1800





## TECHNICAL SPECIFICATIONS

**Width:** 1130 mm

**Depth:** 580 mm

**Height:** 870 mm

**Volume:** 0.56 m<sup>3</sup>

