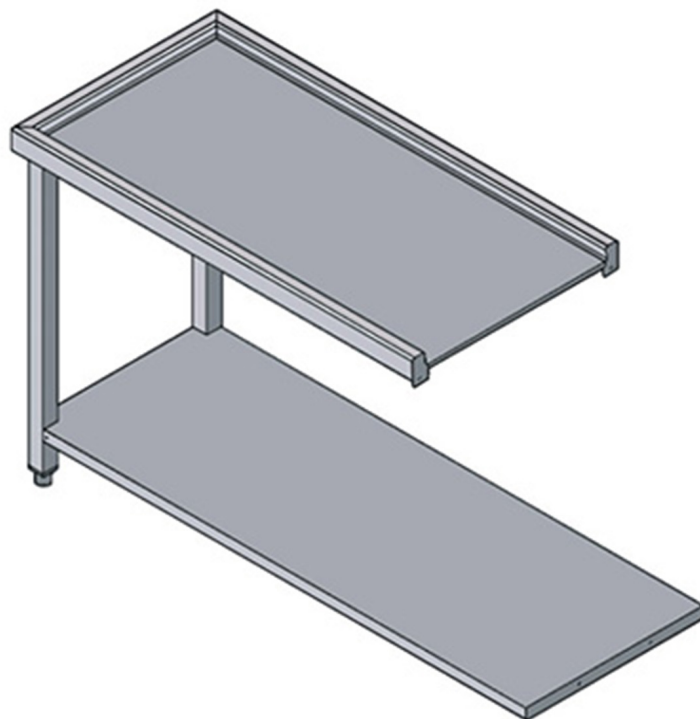
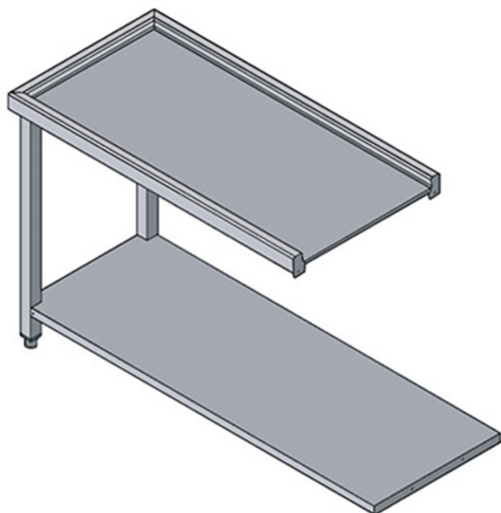


P110E

ENTRY TABLE FOR MODELS ATR1500 AND ATR1800





TECHNICAL SPECIFICATIONS

Width: 1130 mm

Depth: 580 mm

Height: 870 mm

Volume: 0.56 m³

