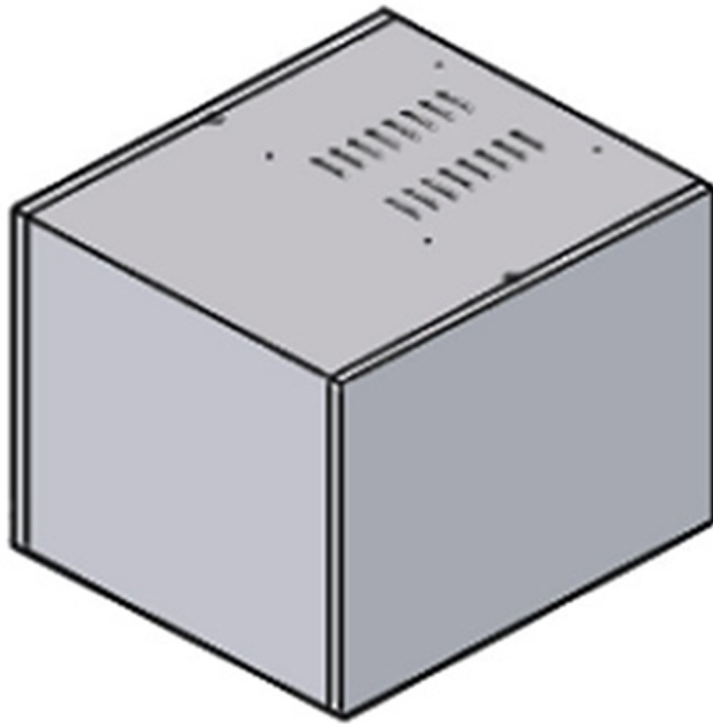
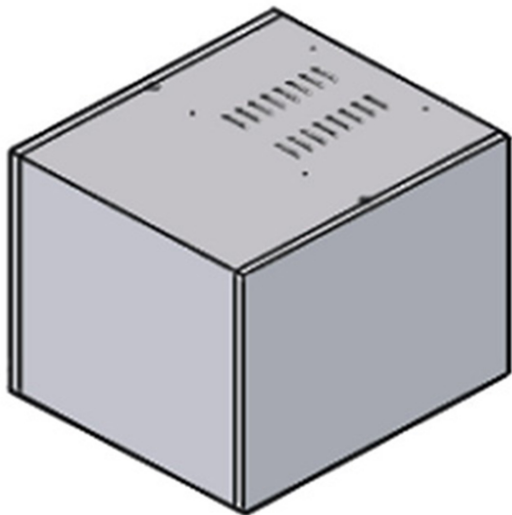


## HRES

STEAM CONDENSER WITH HEAT RECOVERY - ENTRY SIDE LEFT-HAND ATR





## TECHNICAL SPECIFICATIONS

**Width:** 650 mm

**Depth:** 575 mm

**Height:** 550 mm

**Volume:** 0.21 m<sup>3</sup>

**Electrical power:** 0.75 kW

**Electric power:** 230 V / 3 - 400 V / 3+N/ 50 Hz

