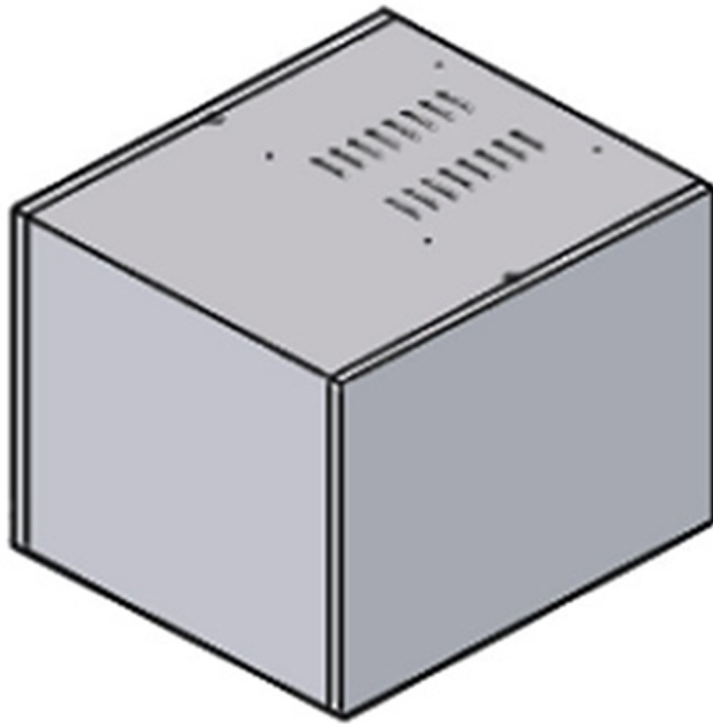
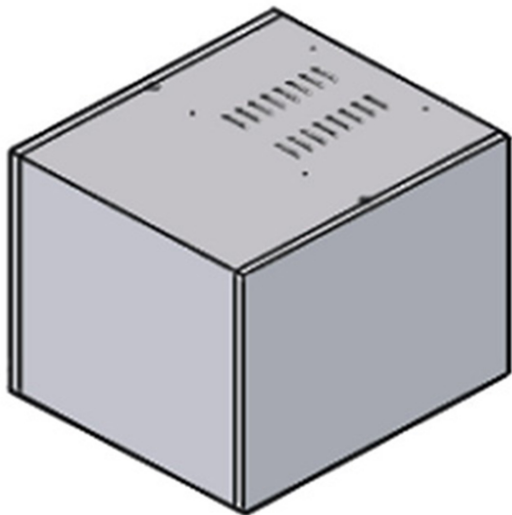


CFUS

STEAM CONDENSER - EXIT SIDE ON LEFT-HAND SIDE ATR





TECHNICAL SPECIFICATIONS

Width: 650 mm
Depth: 575 mm
Height: 550 mm
Volume: 0.21 m³
Electrical power: 0.75 kW
Electric power: 230 V / 3 - 400 V / 3+N/ 50 Hz

