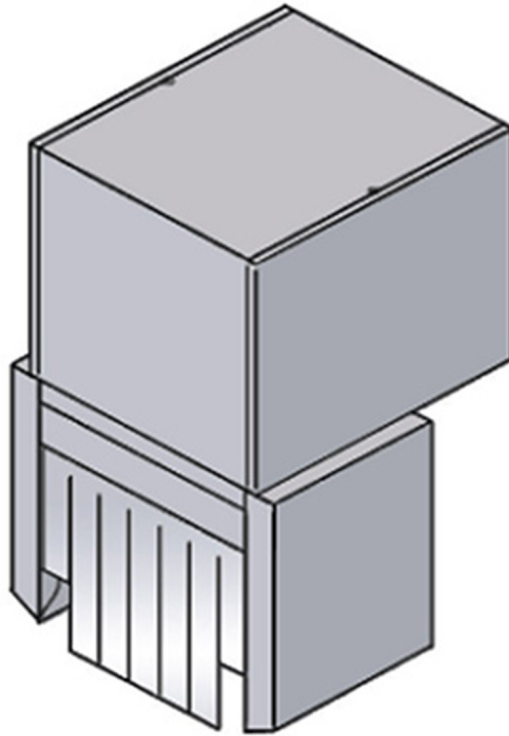
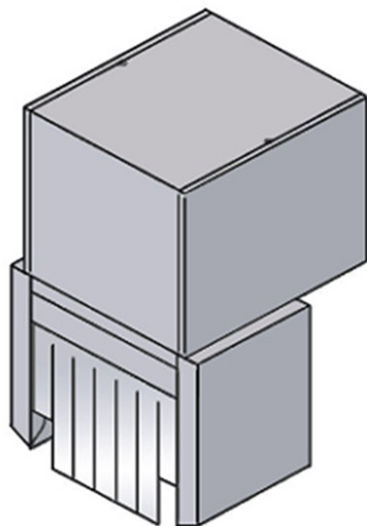


## AZ85ES

DRYING TUNNEL FOR ATR LEFT-HAND SIDE ENTRY





## TECHNICAL SPECIFICATIONS

**Width:** 650 mm  
**Depth:** 665 mm  
**Height:** 1115 mm  
**Volume:** 0.35 m<sup>3</sup>  
**Electrical power:** 9.75 kW  
**Electric power:** 230 V / 3 - 400 V / 3+N/ 50 Hz

