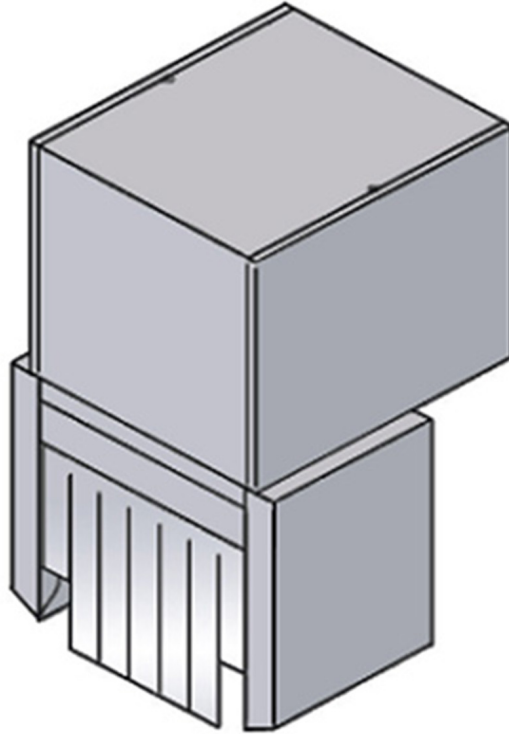
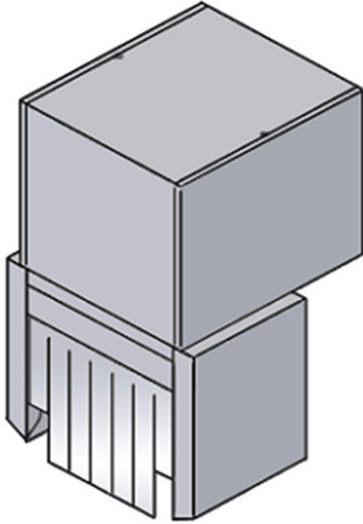


AZ85ED

DRYING TUNNEL FOR ATR RIGHT-HAND SIDE ENTRY





TECHNICAL SPECIFICATIONS

Width: 650 mm

Depth: 665 mm

Height: 1115 mm

Volume: 0.35 m³

Electrical power: 9.75 kW

Electric power: 230 V / 3 - 400 V / 3+N/ 50 Hz

