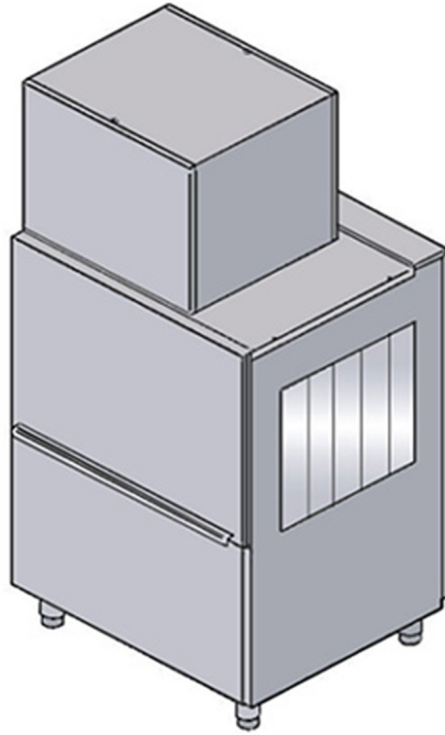
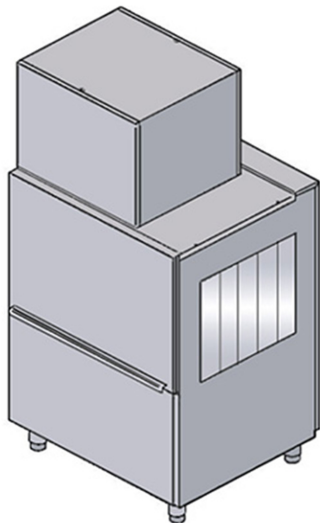


AZ80ES

DRYING TUNNEL FOR ATR LEFT-HAND SIDE ENTRY





TECHNICAL SPECIFICATIONS

Width: 900 mm

Depth: 800 mm

Height: 2010 mm

Volume: 1.27 m³

Electrical power: 9.75 kW

Electric power: 230 V / 3 - 400 V / 3+N/ 50 Hz

