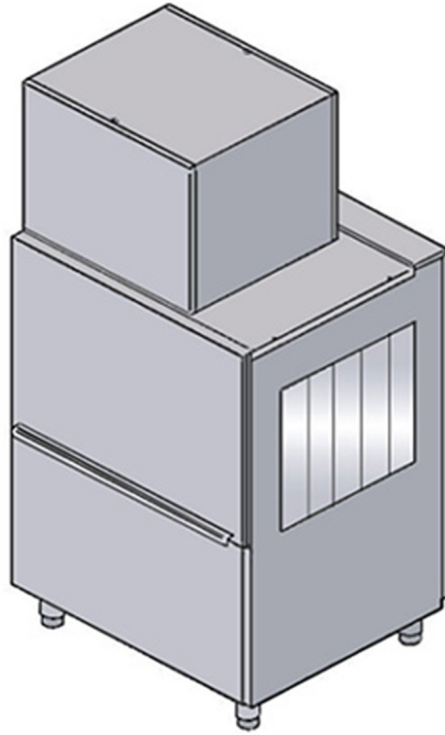
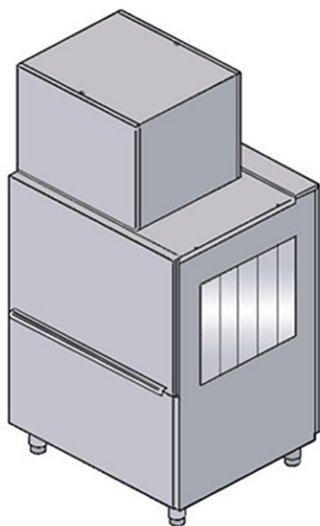


## AZ80ED

DRYING TUNNEL FOR ATR RIGHT-HAND SIDE ENTRY





## TECHNICAL SPECIFICATIONS

**Width:** 900 mm  
**Depth:** 800 mm  
**Height:** 2010 mm  
**Volume:** 1.27 m<sup>3</sup>  
**Electrical power:** 9.75 kW  
**Electric power:** 230 V / 3 - 400 V / 3+N/ 50 Hz

