

AT1002

HOOD TYPE DISHWASHER - TOTAL POWER 6,8 KW



PRODUCT DESCRIPTION

PRODUCTIVE WHILE SAVING ENERGY

Stainless steel structure and tank AISI 304. **Wash tank with rounded edges**, thus ensuring the complete drainage of dirty water. Upper and lower rotating wash and rinse arms.

Surface filters covering the whole tank.

Temperature thermometer. Possibility to change the cycle parameters.

Ergonomic control panel in order to make the temperatures and the different working steps easily recognizable.

The programmable **THERMOLOCK** system ensures that the rinsing cycle starts only at the temperature of 85°C: the ideal temperature for strongly reducing the bacterial load.

Stainless steel heating elements, resistant to corrosion and limescale.

Suitable for line or corner installations. Height-adjustable legs. Hood lifting thanks to springs.

The washing cycle starts only when the hood is completely closed. The appliance stops working if the hood is lifted by chance.

Standard equipped with built-in rinse aid dispenser for the best drying results. **Standard equipped** with built-in connection for detergent dispenser.

Standard equipped with built-in connection for drain pump. **Standard equipped** with built-in connection for WiFi module.

Wide range of options available **on demand**. **Standard equipped** with a basket for plates and a basket for cups.

Does the right mix between high productivity and remarkable energy savings exist? Yes, and the model AT1002 is the answer. You can wash up to 1100 plates/hour and save energy and detergent thanks to its 20 lt. washing tank.

Highly resistant and anti-scratch capacitive display, designed to bear with any modern kitchen stress.



TECHNICAL SPECIFICATIONS

Width: 660 mm
Depth: 796 mm
Height: 1445 mm
Volume: 0.76 m³
Rack dimensions: 500x500 mm
Useful height: 395
Working cycles: 8
Electrical power: 6.80 kW
Electric power: 230 V / 3 - 400 V / 3+N/ 50-60 Hz
Dishes/Hour: 1080-108



AT1002

DATI TECNICI / CARACTERISTIQUES TECHNIQUES / TECHNICAL SPECIFICATIONS / TECHNISCHE DATEN / CARACTERISTICAS TECNICAS / ТЕХНИЧЕСКИЕ ХАРАКТЕРИСТИКИ

PRODUZIONE ORARIA (CESTI) / DÉBIT PANIERS-H / BASKETS PER HOUR / KÖRBE PRO STUNDE / RENDIMIENTO HORARIO / ЧАСОВАЯ ПРОИЗ-СТЬ (КОРЗИНКИ)		60-45-30 -24-10-6
PRODUZIONE ORARIA PIATTI - DÉBIT ASSIETTES/H PLATES PER HOUR - TELLER PRO STUNDE - PLATOS/ORA - ЧАСОВАЯ ПРОИЗВОДИТЕЛЬНОСТЬ, ТАРЕЛК		1080 max 108 min
CICLO DI LAVORO / CYCLE DE LAVAGE / WASHING CYCLE / SPÜLPROGRAMM / CICLO DE LAVADO / ЦИКЛ РАБОТЫ	[sec] [сек]	60-80-120 147-360-600
ALTEZZA UTILE MM - HAUTEUR UTILISABLE JUSQU'À MM - USABLE HEIGHT UP TO MM - BENUTZBARE HÖHE BIS MM - ALTURA UTILIZABLE HASTA MM - ПОЛЕЗНАЯ ВЫСОТА MM		395
ALIMENTAZIONE ELETTRICA / ALIMENTATION ÉLECTRIQUE / ELECTRIC FEEDING / ELEKTRISCHER ANSCHLUSS / ALIMENTACION ELECTRICA / ЭЛЕКТРОПИТАНИЕ	M	230/3 -400/3+N
	[HZ] - [Гц]	50/60
CAVO / CABLE / CABLE / KABEL / CABLE / КАБЕЛЬ		5x 2,5
POTENZA ELETTRICA / PUISSANCE ÉLECTRIQUE / ELECTRIC POWER / ELEKTRO-LEISTUNG / ЭЛЕКТР.	[KW] - [КВТ]	6,8
RESISTENZA BOILER / RÉSISTANCE SURCHAUFFEUR / BOILER HEATING ELEMENT / BOILERHEIZUNG / RESISTENCIA CALENTADOR / НАГРЕВАТЕЛЬ БОЙЛЕРА	[KW] - [КВТ]	6
TANK HEATING ELEMENT / RESISTENZA VASCA / RÉSISTANCE CUVE / TANKHEIZUNG / RESISTENCIA TANQUE / НАГРЕВАТЕЛЬ ЕМКОСТИ	[KW] - [КВТ]	2,5
POTENZA POMPA LAVAGGIO VENTILATA / PUISSANCE POMPE DE LAVAGE VENTILÉE / VENTILATED WASHING PUMP / BELÜFTETE WASCHPUMPE / BOMBA DE LAVADO / МОЩНОСТЬ НАСОСА МОЙКИ ВЕНТ.	[KW] - [КВТ]	0,6
CAPACITÀ VASCA / CAPACITÉ CUVE / TANK CAPACITY / TANKINHALT / CAPACIDAD TANQUE / ОБЪЕМ ЕМКОСТИ	[L] [л]	20
CAPACITÀ BOILER / CAPACITÉ SURCHAUFFEUR / BOILER CAPACITY / BOILERINHALT / CAPACIDAD CALENTADOR / ОБЪЕМ БОЙЛЕРА	[L] [л]	7
PRESSIONE ACQUA DI RISCIAQUO / PRESSION EAU DE RINÇAGE / RINSE WATER PRESSURE / NACHSPÜLWASSERDRUCK / PRESION AGUA DE ACLARADO / ДАВЛЕНИЕ ВОДЫ ПРИ ОПОЛАСКИВАНИИ	Bar kPa	2 ÷ 4 200 ÷ 400
DUREZZA ACQUA / DURETÉ EAU / WATER HARDNESS / WASSERHÄRTE / DUREZA DE AGUA / МЕСТКОСТЬ ВОДЫ	°F	8 ÷ 14
TEMPERATURA MASSIMA ACQUA IN INGRESSO / TEMPERATURE MAX. EAU REMPLISSAGE / MAX. TEMPERATURE OF WATER SUPPLY / MAX. TEMPERATUR ZUFLUSSWASSER / TEMPERADURA MAXIMA AGUA ENTRADA / МАКС.ТЕМПЕРАТУРА ВОДЫ НА ВХОДЕ	°C	50
CONSUMO ACQUA PER CICLO / QUANTITÉ D'EAU PAR CYCLE / WATER CONSUMPTION PER CYCLE / WASSERVERBRAUCH PRO ZYKLUS / CANTIDAD AGUA POR CICLO / ПОТРЕБЛЕНИЕ ВОДЫ ЗА ЦИКЛ	[L] [л]	1,2 ÷ 5

CICLO – CYCLE – CYCLE – PROGRAMM – CICLO - ЗНАЧОК	TEMPO TOTALE DURÉE TOTALE TOTAL TIME GESAMTZEIT TIEMPO TOTAL ОБЩЕЕ ВРЕМЯ	ICONA ICÔNE ICON SYMBOL ICONO ЗНАЧОК
	SEC CEK	
BICCHIERI – VERRES – GLASSES – GLÄSER – VASOS - СТАКАНЫ	60	
PIATTI – ASSIETTES – DISHES – GESCHIRR – PLATOS - ТАРЕЛКИ	120	
PENTOLE – CASSEROLLES – POTS – TÖPFE – OLLAS - КАСТРИОЛИ	600	
BICCHIERI DELICATI - VERRES DÉLICATS – DELICATE GLASSES – ZARTE GLÄSER – VASOS DELICADOS - ХРУПКИЕ БОКАЛЫ	80	
POSATE – COUVERTS – CUTLERY – BESTECK – CUBIERTOS - СТОЛОВЫЕ ПРИБОРЫ	360	
SANITIZZANTE – HYGIÈNE – SANITIZING – HYGIENE-PROGRAMM – DESINFECCIÓN - ДЕЗИНФИЦИРОВАНИЕ	147	
ECONOMICO – ECONOMIQUE – ECO – ÖKO-PROGRAMM – ECONÓMICO - ЭКОНОМИЧНЫЙ	80	Eco
PERSONALIZZATO – PERSONNALISE – CUSTOMIZED – KUNDENSPEZIFISCH – PERSONALIZADO - ПОЛЬЗОВАТЕЛЬСКИЙ	24÷635	
SCARICO VASCA (SOLO MODELLI DOTATI DI POMPA DI SCARICO) VIDANGE DE LA CUVE (UNIQUEMENT DANS LES MODELES EQUIPES D'UNE POMPE DE VIDANGE) TANK DRAIN (ONLY MODELS EQUIPPED WITH DRAIN PUMP) TANKENTLEERUNG (NUR MODELLE MIT ABFLUSSPUMPE) DESCARGA DEL DEPÓSITO (SÓLO MODELOS EQUIPADOS CON BOMBA DE DESCARGA) СЛИВ ВАННЫ (ТОЛЬКО ДЛЯ МОДЕЛЕЙ, ОБОРУДОВАННЫХ ОТКАЧИВАЮЩИМ НАСОСОМ)	120	

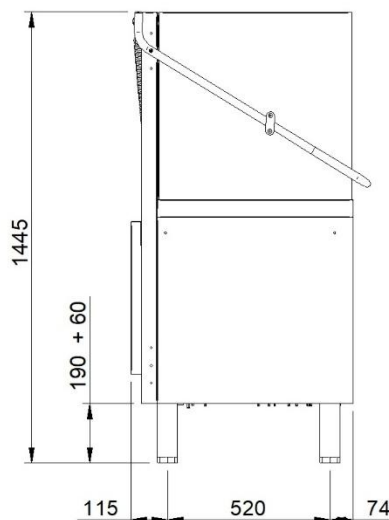
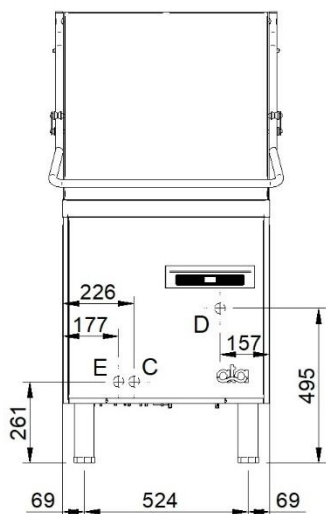
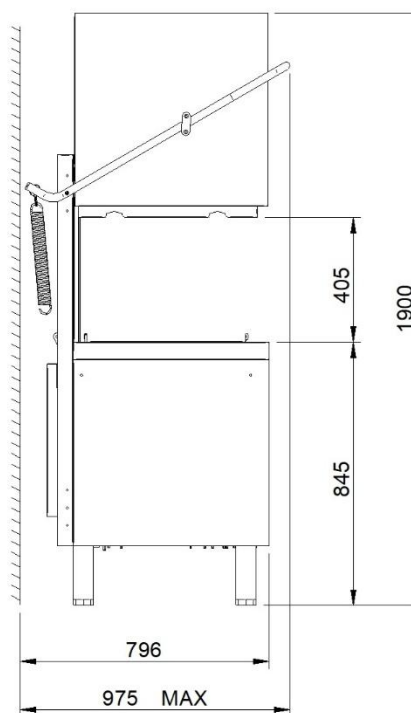
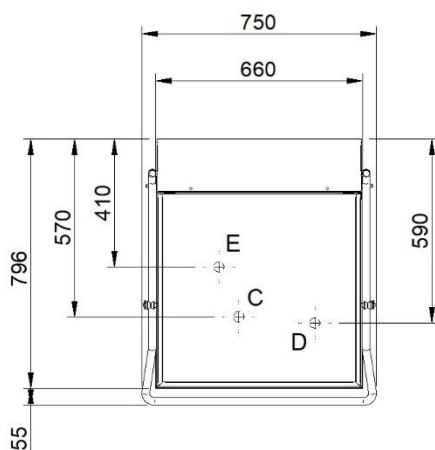
Standard

CESTO BASE / PANIER BASE / BASIC BASKET / UNIVERSALKORB / CESTO BASE / БАЗОВАЯ КОРЗИНА	1 x 907504	
CESTO PIATTI / PANIER ASSIETTES / BASKET FOR DISHES / TELLERKÖRBE / CESTA PARA PLATOS / КОРЗИНА ДЛЯ ТАРЕЛОК	1 x 907500	
DIMENSIONI CESTO / DIMENSIONS PANIER / BASKET DIMENSIONS / KORBMASSE / DIMENSIONES CESTA / ЦИКЛ РАБОТЫ	[mm]	500x500
CESTO POSATE / PANIER POUR COUVERTS / CUTLERY BASKET / BESTECKKORB / CUBILITE PARA CUBIERTOS / КОРЗИНА ДЛЯ СТОЛОВЫХ ПРИБОРОВ	1 x 1091	

Optional

DOSATORE DETERSIVO PERISTALTICO - DOSEUR DETERGENT PERISTALTIQUE - PERISTALTIC DETERGENT DISPENSER - PERISTALTİK-REINIGERDOSIERPUMPE - DOSIFICADOR DETERGENTE PERISTÁLTICO - НЕРСТАЛЬТЪЕСКЪ ДОЗАТОР МОЮЩЕРО СРЕДСТВА	A5695	
KIT DOSATORE DETERSIVO PERISTALTICO - KIT DOSEUR DÉTERGENT PÉRISTALTIQUE - PERISTALTIC DETERGENT DISPENSER KIT - PERISTALTİK-DOSIERPUMPENSATZ - KIT DOSIFICADOR DETERGENTE PERISTÁLTICO - СОМНЛЕКТ НЕРСТАЛЬТЪЕСКОРО ДОЗАТОРА МОЮЩЕРО СРЕДСТВА	B5695	
DOSATORE DI DETERSIVO ELETTRONICO - DOSEUR DÉTERGENT - DETERGENT DISPENSER - SPÜLMITTELDOSIERGERÄT - DOSIFICADOR DE DETERGENTE - ДОЗАТОР МОЮЩЕРО СРЕДСТВА	A7498	
SONDA RILEVAMENTO MANCANZA DETERSIVO - SONDE ABSENCE PRODUIT DE LAVAGE - PROBE FOR LACK OF DETERGENT - FÜHLER SPÜLMITTELAUSFALL - SONDA DETECCIÓN FALTA DETERGENTE - ДАТУК ОНРЕДЕЛЕНЯ ОТСУТСТВА МОЮЩЕРО СРЕДСТВА	A4250	
MODULINO WIFI - MODULE WIFI - WIFI PROGRAM UNIT - WIFI-EINHEIT - MÓDULO WIFI - МОДУЛЬ WIFI	A5874	
KIT MODULINO WIFI - KIT MODULE WIFI - WIFI PROGRAM UNIT KIT - WIFI-EINHEITSATZ - KIT MODULO WIFI - СОМНЛЕКТ МОДУЛЯ WIFI	B5874	
BOILER ATMOSFERICO - CHAUDIÈRE ATMOSPHERIQUE - ATMOSPHERIC BOILER - ATMOSPHÄRISCHER BOILER CALDERA ATMOSFÉRICA - АТМОСФЕРНЫ БОЛЕР	A1530/1002	
POMPA DI SCARICO - POMPE DE VIDANGE - DRAIN PUMP - LAUGENPUMPE - BOMBA DE VACIADO - СЛМВНО НАСОС	A4728/1002	
KIT POMPA DI SCARICO - KIT POMPE DE VIDANGE - DRAIN PUMP KIT - LAUGENPUMPENSATZ - KIT BOMBA DE DESAGUE - СОМНЛЕКТ СЛВНОРО НАСОСА	B4728/1002	
FILTRI IN ACCIAIO - FILTRES EN ACIER - STAINLESS STEEL FILTERS - SIEBE AUS STAHL - FILTROS DE ACERO - СТАЛЬНЫЕ ФЛЪТРЫ	A5789	
POMPA AUMENTO RISCIAQUO + WAG - POMPE AUXILIAIRE RINÇAGE + WAG - BOOSTER PUMP + WAG - DRUCKSTEIGERUNGSPUMPE + WAG - BOMBA AUXILIAR ACLARADO + WAG - ВСОМОРАТЕЛЪНЫ НАСОС ОНОЛАСКВАНЯ + WAG	A1511/1002	BREAK TANK
POMPA AUMENTO PRESSIONE - POMPE AUXILIAIRE RINÇAGE - RINSING BOOSTER PUMP - DRUCKSTEIGERUNGSPUMPE - BOMBA AUXILIAR ACLARADO - ВСОМОРАТЕЛЪНЫ НАСОС	A1510/ATE	BOOSTER PUMP
SCHIENA INOX AISI 430 - COUVERCLE EN INOX AISI 430 - BACK OF STEEL 430 AISI - RÜCKEN AUS STAHL AISI 430 - ESPALDA EN ACERO AISI 430 - ЗАДНЯЯ НАНЕЛЬ Ъ НЕРШАВЕЮЩЕ СТАЛ AISI 430	A9347	

DIMENSIONI / DIMENSIONS / DIMENSIONS / МАРЕ / MEDIDAS / РАЗМЕРЫ


AT1002


D = SCARICO 1 1/2", VIDANGE 1 1/2", DRAIN 1 1/2"; ABFLUSS 1 1/2"; DESAGÜE 1 1/2"; СЛИВ 1 1/2"
C = CARICAMENTO ACQUA 3/4"; CHARGEMENT EAU 3/4"; WATER INLET 3/4"; ZUFLUSS 3/4"; CARGA AGUA 3/4"; ЗАЛИВКА ВОДЫ 3/4"
E = ALLACCIAMENTO ELETTRICO; BRANCHEMENT ELECTRIQUE; ELECTRIC CONNECTION; ELEKTRISCHER ANSCHLUSS;
 CONEXION ELECTRICA; ЭЛЕКТРИЧЕСКОЕ ПОДКЛЮЧЕНИЕ

VOLTAGGI DIVERSI E VERSIONI NAVALI DISPONIBILI SU RICHIESTA / DIFFÉRENTES TENSIONS ET VERSIONS MARITIMES
 DISPONIBLES SUR DEMANDE / DIFFERENT VOLTAGES AND MARINE VERSIONS AVAILABLE ON REQUEST / VERSCHIEDENE
 SPANNUNGEN UND SCHIFFSAUSFÜHRUNGEN AUF ANFRAGE ERHÄLTICH / РАЗЛИЧНЫЕ НАПРЯЖЕНИЯ И ВАРИАНТЫ
 ИСПОЛНЕНИЯ КОРАБЛЯ - ПО ЗАПРОСУ