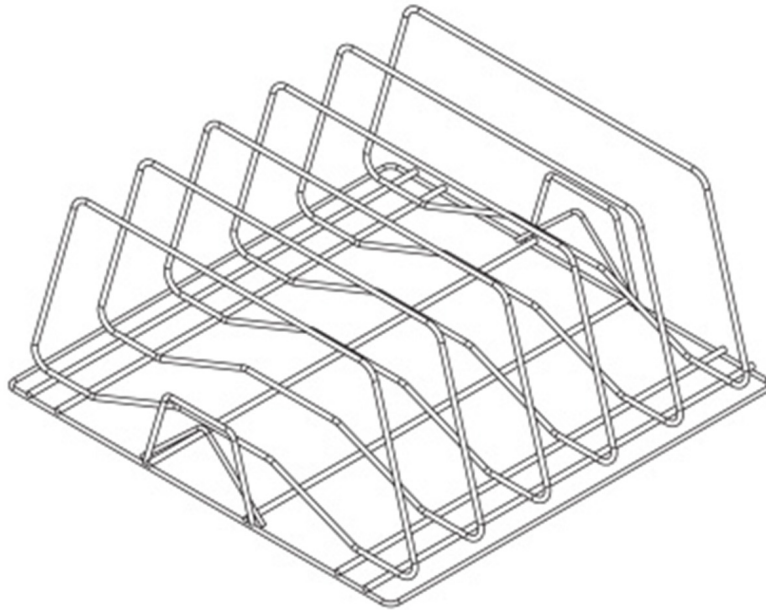


# 14668

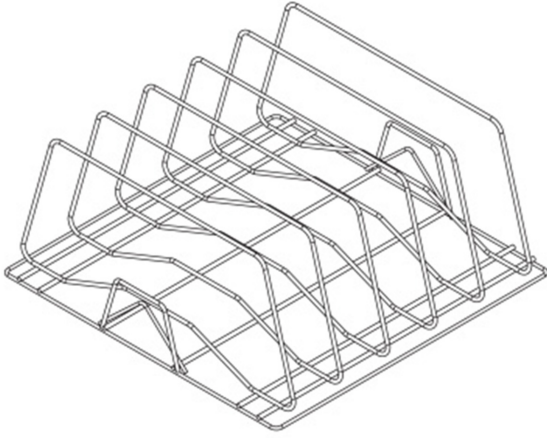
## STAINLESS STEEL RACK FOR 5 TRAYS



### PRODUCT DESCRIPTION

---

For model ALP43



## TECHNICAL SPECIFICATIONS

**Width:** 570 mm

**Depth:** 570 mm

**Height:** 255 mm

