

K7GCUS15TTPI

TOP GAS RANGE 6 BURNERS WITH PILOT FLAME - SOLUTION LINE



PRODUCT DESCRIPTION

Stainless steel frame. Athermic thermoset plastic knobs.

Heating by means of **cast-iron, sealed, stabilised flame and superimposed double crown burners with different power ratings (max. 6.5 kW and 8.2 kW).**

Each burner provided with a safety gas cock, which enables the output to be regulated from maximum to minimum. Safety ensured by a thermocouple kept active by the flame of the pilot burner.

Surface grids made of alkali, acid and fire resistant matt RAAF enamelled cast iron.

Surface grids placed on moulded surfaces with rounded edges and burners hermetically sealed at the top for easy cleaning.

Laser-cut work top finishing for "head-to-head" matching and binding fastening.

Height-adjustable stainless steel legs.

Tested with natural gas or LPG, according to the user's needs.

Accessories available **on demand**.



TECHNICAL SPECIFICATIONS

Width: 1200 mm
Depth: 700 mm
Height: 265 mm
Weight: 55 kg
Volume: 0.54 m³
Gas power: 44.10 kW

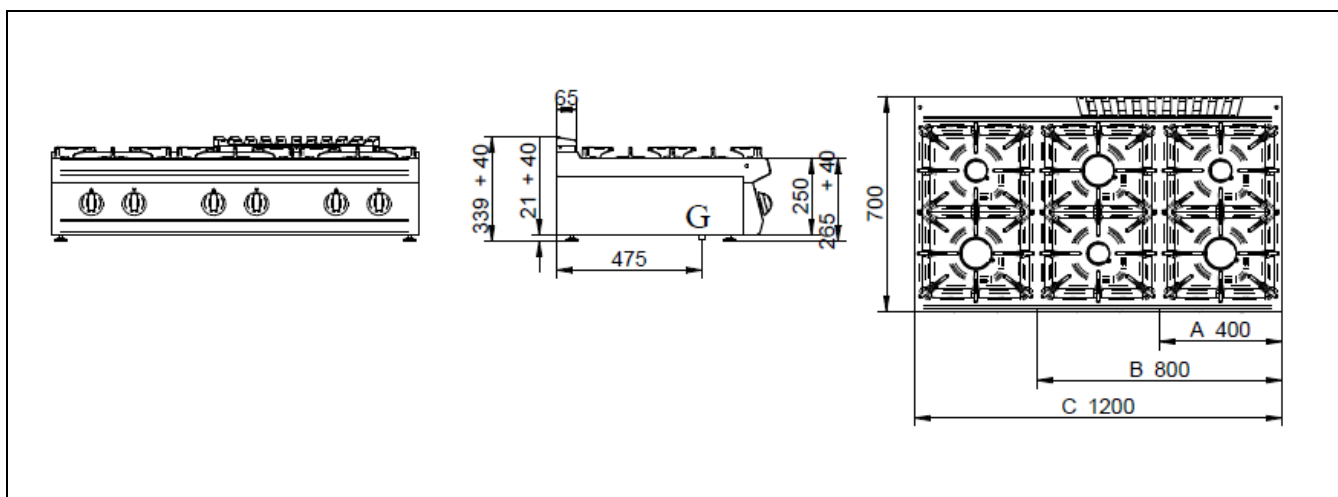


K7GCUS15TTPI

CUCINA GAS 6 FUOCHI DA BANCO / FOURNEAU À GAZ 6 BRÛLEURS À POSER / TOP GAS RANGE 6 BURNERS TABLE TOP / GASHERD 6 KOCHSTELLEN TISCHGERÄT / COCINAS A GAS 6 QUEMADORES DE BANCO / ГАЗОВАЯ ПЛИТА С 6 КОНФОРКАМИ НАСТОЛЬНАЯ

DATI TECNICI / CARACTERISTIQUES TECHNIQUES / TECHNICAL SPECIFICATIONS / TECHNISCHE DATEN / CARACTERISTICAS TECNICAS / ТЕХНИЧЕСКИЕ ХАРАКТЕРИСТИКИ

Dimensioni / Dimensions / Dimensions / Maße / Medidas / Размеры	[мм]	1200x700x265
Gas / Gaz / Gas / Gas / Газ (B)	[Kw] - [кВт]	44,1
Tipo / Type / Type / Typ / Тип (A)		A1
GPL/LPG / Сжиженный нефтяной газ (G30) (D)	[Kg/h] [кг/ч]	2,957
Metano / Methane / Natural gas / Erdgas / Метан (G20) (C)	[m3/h] [м3/ч]	4,667
Aria / Air / Luft / Aire / Воздух	[m3/h] [м3/ч]	88,2
Racc. Gas / Racc. Gaz / Gas fitting / Gasanschluss / Empalme gas / Газовое соединение		UNI-ISO 7/1 R ½
Brucciatore / Bruleur / Burner / Brenner/Quegador / Горелка (C)	[kW] [кВт]	3 x 6,5
Brucciatore / Bruleur / Burner / Brenner/Quegador / Горелка (D)	[kW] [кВт]	3 x 8,2



A	K7GCUS05TT	<table border="1"> <tr><td>6,5 kW</td></tr> <tr><td>7,7 kW</td></tr> </table>		6,5 kW	7,7 kW					
	6,5 kW									
7,7 kW										
K7GCUS05TTPPI	<table border="1"> <tr><td>6,5 kW</td></tr> <tr><td>8,2 kW</td></tr> </table>		6,5 kW	8,2 kW						
6,5 kW										
8,2 kW										
B	K7GCUS10TT	<table border="1"> <tr><td>6,5 kW</td><td>7,7 kW</td></tr> <tr><td>7,7 kW</td><td>6,5 kW</td></tr> </table>		6,5 kW	7,7 kW	7,7 kW	6,5 kW			
	6,5 kW	7,7 kW								
7,7 kW	6,5 kW									
K7GCUS10TTPPI	<table border="1"> <tr><td>6,5 kW</td><td>8,2 kW</td></tr> <tr><td>8,2 kW</td><td>6,5 kW</td></tr> </table>		6,5 kW	8,2 kW	8,2 kW	6,5 kW				
6,5 kW	8,2 kW									
8,2 kW	6,5 kW									
C	K7GCUS15TT	<table border="1"> <tr><td>6,5 kW</td><td>7,7 kW</td><td>6,5 kW</td></tr> <tr><td>7,7 kW</td><td>6,5 kW</td><td>7,7 kW</td></tr> </table>			6,5 kW	7,7 kW	6,5 kW	7,7 kW	6,5 kW	7,7 kW
	6,5 kW	7,7 kW	6,5 kW							
7,7 kW	6,5 kW	7,7 kW								
K7GCUS15TTPPI	<table border="1"> <tr><td>6,5 kW</td><td>8,2 kW</td><td>6,5 kW</td></tr> <tr><td>8,2 kW</td><td>6,5 kW</td><td>8,2 kW</td></tr> </table>			6,5 kW	8,2 kW	6,5 kW	8,2 kW	6,5 kW	8,2 kW	
6,5 kW	8,2 kW	6,5 kW								
8,2 kW	6,5 kW	8,2 kW								

G = Gas / Gaz / Gas / Gas / Gas / ra3