

K7GCUS15F1

GAS RANGE 6 BURNERS ON GAS OVEN 1/1 GN and OPEN CABINET- SOLUTION LINE



PRODUCT DESCRIPTION

Stainless steel frame. Athermic thermostet plastic knobs.

Heating by means of **cast-iron, sealed, stabilised flame and superimposed double crown burners with different power ratings (max. 6.5 kW and 7.7 kW).**

Each burner provided with a safety gas cock, which enables the output to be regulated from maximum to minimum. Safety ensured by a thermocouple kept active by the flame of the burner.

Surface grids made of alkali, acid and fire resistant matt RAAF enamelled cast iron.

Surface grids placed on moulded surfaces with rounded edges and burners hermetically sealed at the top for easy cleaning.

Gas oven 1/1 GN. Oven stainless steel removable grill. Oven floor made of made of a thick steel sheet strengthened by a series of ribs.

Insulation of the cooking chamber and of the oven door ensured by a layer of high temperature resistant ceramic fibre.

Quick temperature rise and heat retention obtained through a stabilized flame burner with high performance integrated diffuser, suitable to work at high temperatures.

Ignition by electric spark working at 230V 1 phase + neutral.

The oven burner is equipped with a thermostatic gas valve which allows to adjust the temperature up to 300°C. Safety ensured by a thermocouple kept active by the burner flame.

Laser-cut work top finishing for "head-to-head" matching and binding fastening.

Height-adjustable stainless steel legs.

Tested with natural gas or LPG, according to the user's needs.

Accessories available **on demand.**



TECHNICAL SPECIFICATIONS

Width: 1200 mm

Depth: 700 mm

Height: 850 mm

Weight: 121 kg

Volume: 1.15 m³

Electrical power: 0.10 kW

Gas power: 47.20 kW

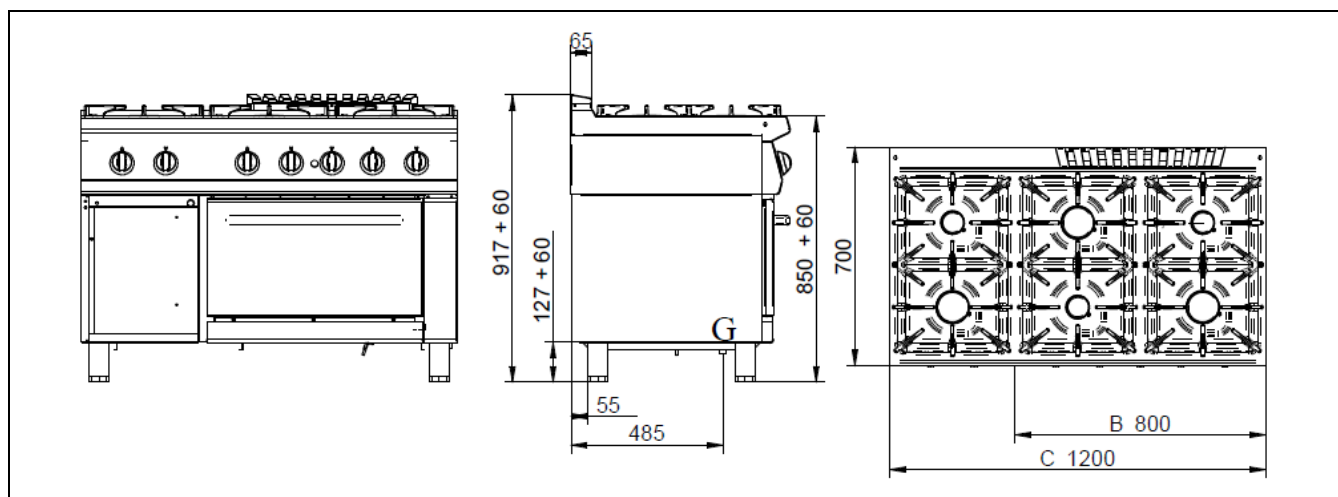


K7GCUS15F1

CUCINA GAS 6 FUOCHI + FORNO GAS 2/1 GN + VANO APERTO / FOURNEAU À GAZ 6 BRÛLEURS + FOUR À GAZ 2/1 GN + BAIE LIBRE OUVERTE / GAS RANGE 6 BURNERS + GAS OVEN 2/1 GN + OPEN CABINET / GASHERD 6 KOCHSTELLEN + GASBACKOFEN 2/1 GN + UNTERBAU OFFEN / COCINA A GAS 6 QUEMADORES + HORNO A GAS 2/1 GN + BASE ABIERTA / ГАЗОВАЯ ПЛИТА С 6 КОНФОРКАМИ + ГАЗОВАЯ ДУХОВКА 2/1 GN + ОТКРЫТЫЙ ШКАФ

DATI TECNICI / CARACTERISTIQUES TECHNIQUES / TECHNICAL SPECIFICATIONS / TECHNISCHE DATEN / CARACTERISTICAS TECNICAS / ТЕХНИЧЕСКИЕ ХАРАКТЕРИСТИКИ

Dimensioni / Dimensions / Dimensions / Maße / Medidas / Размеры	[мм]	1200x700x850
Gas / Gaz / Gas / Gas / Газ (B)	[Kw] - [кВт]	47,2
Тиро / Type / Type / Тур / Тип (A)		A1
GPL/LPG / Сжиженный нефтяной газ (G30) (D)	[Kg/h] [кг/ч]	3,367
Metano / Methane / Natural gas / Erdgas / Метан (G20) (C)	[m3/h] [м3/ч]	4,995
Aria / Air / Luft / Aire / Воздух	[m3/h] [м3/ч]	94,4
Racc. Gas / Racc. Gaz / Gas fitting / Gasanschluss / Empalme gas / Газовое соединение		UNI-ISO 7/1 R ½
Bruciatore / Bruleur / Burner / Brenner/Quegador / Горелка (C)	[kW] [кВт]	3 x 6,5
Bruciatore / Bruleur / Burner / Brenner/Quegador / Горелка (D)	[kW] [кВт]	3 x 7,7
Forno / Four / Oven / Ofen / Horno / Духовка 2/1 GN (G)	[kW] [кВт]	1 x 5,2
Potenza elettrica / Puissance électrique / Electric Power / Elektro-Leistung / электр. (E)	[Kw] - [кВт]	0,2
(F)	[V]	230/1N
(G)	[Hz] - [Гц]	50/60
Cavo (non fornito in dotazione) / Cable (non fourni) / Cable (not supplied) / Kabel (nicht mitgeliefert) / Cable / Кабель	H07 RN-F [мм2]	3 x 0,75



B	K7GCUS10F1	<table border="1"> <tr> <td>6,5 kW</td> <td>7,7 kW</td> </tr> <tr> <td>7,7 kW</td> <td>6,5 kW</td> </tr> <tr> <td colspan="2">5,2 kW</td> </tr> </table>	6,5 kW	7,7 kW	7,7 kW	6,5 kW	5,2 kW				
	6,5 kW	7,7 kW									
7,7 kW	6,5 kW										
5,2 kW											
K7GCUS10F1PI	<table border="1"> <tr> <td>6,5 kW</td> <td>8,2 kW</td> </tr> <tr> <td>8,2 kW</td> <td>6,5 kW</td> </tr> <tr> <td colspan="2">5,2 kW</td> </tr> </table>	6,5 kW	8,2 kW	8,2 kW	6,5 kW	5,2 kW					
6,5 kW	8,2 kW										
8,2 kW	6,5 kW										
5,2 kW											
C	K7GCUS15F1	<table border="1"> <tr> <td>6,5 kW</td> <td>7,7 kW</td> <td>6,5 kW</td> </tr> <tr> <td>7,7 kW</td> <td>6,5 kW</td> <td>7,7 kW</td> </tr> <tr> <td colspan="3">5,2 kW</td> </tr> </table>	6,5 kW	7,7 kW	6,5 kW	7,7 kW	6,5 kW	7,7 kW	5,2 kW		
	6,5 kW	7,7 kW	6,5 kW								
7,7 kW	6,5 kW	7,7 kW									
5,2 kW											
K7GCUS15F1PI	<table border="1"> <tr> <td>6,5 kW</td> <td>8,2 kW</td> <td>6,5 kW</td> </tr> <tr> <td>8,2 kW</td> <td>6,5 kW</td> <td>8,2 kW</td> </tr> <tr> <td colspan="3">5,2 kW</td> </tr> </table>	6,5 kW	8,2 kW	6,5 kW	8,2 kW	6,5 kW	8,2 kW	5,2 kW			
6,5 kW	8,2 kW	6,5 kW									
8,2 kW	6,5 kW	8,2 kW									
5,2 kW											

G = Gas / Gaz / Gas / Gas / Gas / газ

Optional

n. 1 x **K7PORTA** Porta - Porte - Door - Tür - Puerta – Дверца